



Tornado Stick S4 / S6

Automatic vertical packaging machine designed to form-fill and seal stick packs (3 side seal) starting from a single reel of packaging material.

Rapid size change by substitution of forming tubes only.

Complete with: forming tubes in stainless steel - Photocell for print centering - heated bar sealing with constant temperature controlled by independent thermo-regulators for each lane integrated by PLC - Mobile support for the sealing and forward movement of film controlled by brushless servomotor - Stop machine at end of reel and motorized unrolling of the same.

Operations controlled by PLC and Modem for remote troubleshooting. Visualization from the panel: temperature of the fin sealers and of the heated bars - production speed - number of sticks produced - alarms, etc.

Settings carried out from the control panel: output speed, seal temperature, enabling of devices eg. printer, agitator, vibrator, photocell, etc.

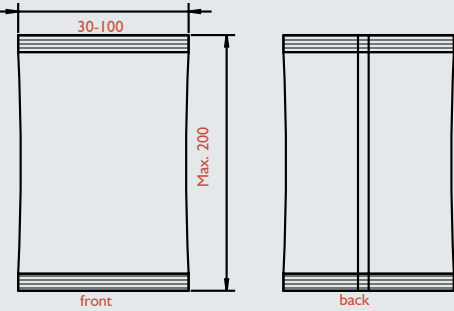
Safety protections with Power cut-off if doors are opened. Electrical control cabinet according to the norms in force. All parts in contact with the product are in AISI 316L stainless steel.



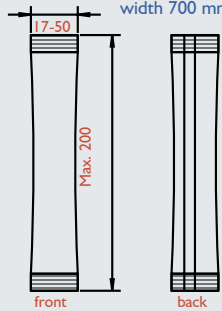
Boato Pack S.r.l.
via Rosa Agazzi, 13 - 34079 - Staranzano (GO) - ITALY
phone: +39.0481.484.555 - fax: +39.0481.482.837
e_mail: info@boatopack.com

www.boatopack.com

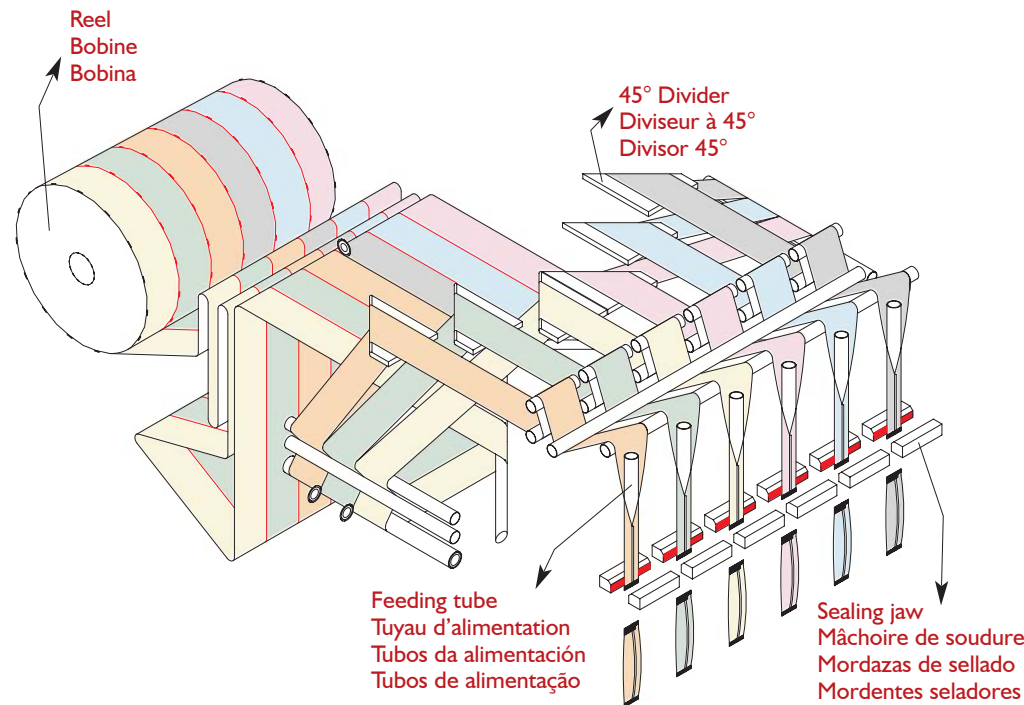
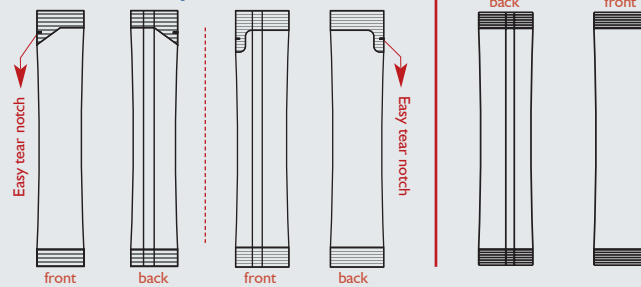
TORNADO S 4 - Reel width 900 mm.



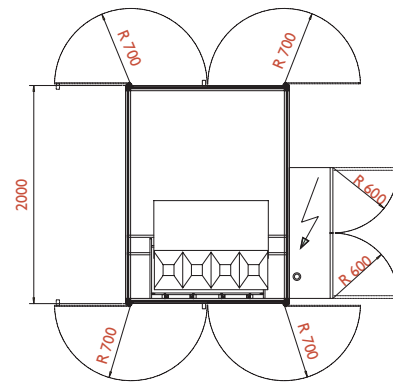
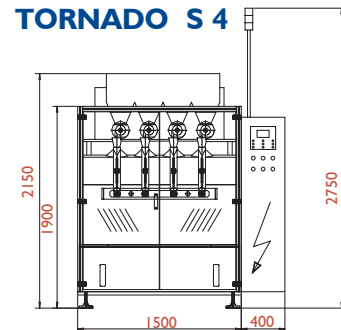
TORNADO S 6 - Reel width 700 mm.



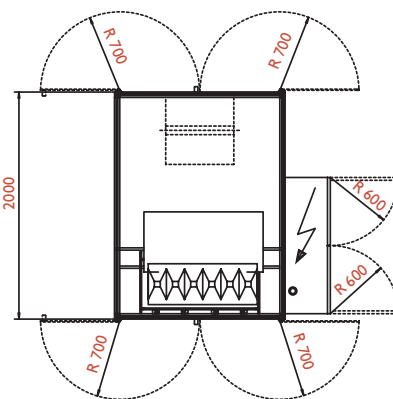
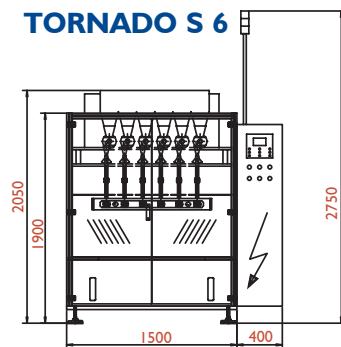
Examples of seals



TORNADO S 4



TORNADO S 6



	TORNADO S4	TORNADO S6
Max web width of reel Laize max. de la bobine Maximo ancho bobina Largura máxima da bobina	900 mm	700 mm
Stick width Largeur stick Anchura stick Largura stick	Min. 30 mm - Max. 100 mm	Min. 17 mm - Max. 50 mm
Max. stick length Longueur max. stick Largo max. stick Comprimento max. stick	200 mm	200 mm
Max. reel diameter Diametre max. de la bobine Diametro max. bobina	600 mm	600 mm
Voltage Voltaje Fornecimento de voltagem	380 V + N + PE	380 V + N + PE
Absorption Puissance Potencia Força	12 Kw	12 Kw
Average absorption Consommation moyenne Absorción media Absorção media	3 - 4 Kw	3 - 4 Kw
Dimensions Dimensiones Dimensões	1900 x 2000 x 1850 mm	1900 x 2000 x 1850 mm
Weight Poids Peso	1500 Kg	1500 Kg