

Europa/ Optimist/Tornado for sachets of powder & granules

Automatic vertical packaging machine designed to form, fill and seal on 4 sides sachets of thermosealable material. Constructed with a modular system to facilitate rapid size change operations.

The machine frame is constructed in specially treated and hardened aluminium, all parts in contact with the product are in AISI 316L stainless steel.

The reel of packaging material is housed inside the machine, completely enclosed and protected from external contamination; the reel shaft is positioned to permit easy mounting.

The machine comprises 3 Brushless servomotors.

Basic operations are controlled by means of the PLC interfaced with a display panel.

Visualization of the following operations from the control panel: length of sachet, output speed, temperature of sealing jaws and sealing rollers, bag-counter, machine alarms, etc. Settings that can be made from the control panel include: length of sachet, output speed, number of sachets to form a group, sealing temperatures, timing for various devices such as printer, vibrator, etc. Photocell mark registration for printed film.

Modem for remote diagnosis of PLC software status and display settings.

Machine protections with power cut-off when doors are opened.

Electrical control cabinet according to the norms in force.

Servomotor driven Powder feed systems according to the type of product, designed for high speed running on up to 20 production lanes.



Boato Pack S.r.l.
via Rosa Agazzi, 13 - 34079 - Staranzano (GO) - ITALY
phone: +39.0481.484.555 - fax: +39.0481.482.837
email: info@boatopack.com

www.boatopack.com



AF - Auger filler suitable for non free-flowing powders



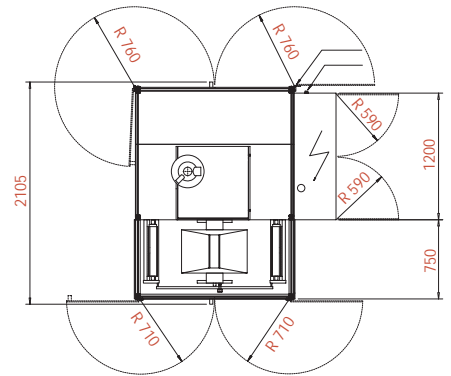
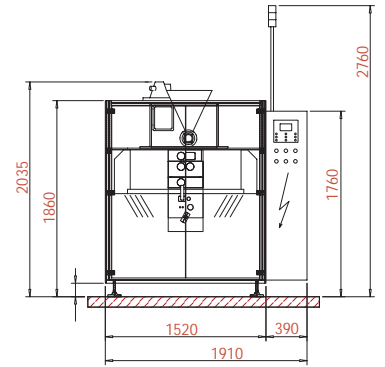
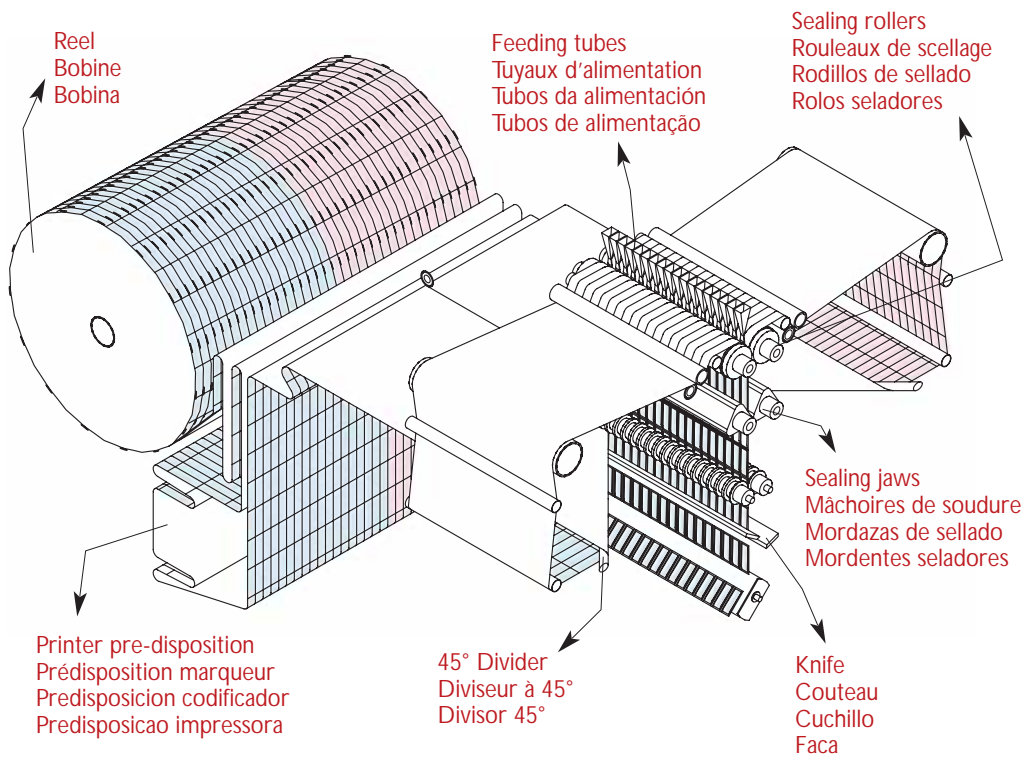
DTL - Volumetric linear cup doser for sugar coated pellets, small sweets, peanuts, etc.



SSS - Feeder with oscillating movement for free-flowing powders and granules



GPV - Feeder suitable for powders and granules (salt, pepper, sugar, 3 in 1, instant drink and similar)



	EUROPA	OPTIMIST	TORNADO
Max web width of reel Laize max. de la bobine Maximo ancho bobina Largura máxima da bobina	300 mm. (150/sachet width=n° production lanes)	500 mm. (250/sachet width=n° production lanes)	960 mm. (480/sachet width=n° production lanes)
Sachet width Largeur sachet Anchura sachet Largura sachet	Min. 24 mm-Max. 150 mm	Min. 24 mm-Max. 150 mm	Min. 24 mm-Max. 150 mm
Max. sachet length Longueur max. sachet Largo max. sachet Comprimento max. sachet	250 mm	250 mm	250 mm
Output speed Cadence Velocidad Velocidade	Up to 1.200 sachets/min	Up to 2.000 sachets/min	Up to 3.600 sachets/min
Max. reel diameter Diametre max. de la bobine Diametro max. bobina	400 mm	600 mm	600 mm
Voltage Voltage Fornecimento de voltagem	380 V + N + PE	380 V + N + PE	380 V + N + PE
Absorption Puissance Potencia Força	9 Kw	15 Kw	18 Kw
Average absorption Consumation moyenne Absorcion media Absorção media	1 - 2 Kw	2 - 3 Kw	3 - 4 Kw

Examples of sachets

